

Wallmotor for outside the house

445999

Stainless steel

EAN 5414425100729

General information

Motor integrated	•
With sound absorber	•
With isolated roof socket	-
With isolated roof socket and sound absorber	-
With automatic shutter (galvanized)	-
Isolator switch	-

Dimensions (mm) (more detailed info can be found on the website)

Dimensions (WxDxH) (mm)	400 x 130 x 500
Diameter outlet (mm)	150
Diameter inlet (tube)(mm)	-
Diameter inlet (opening roof)(mm)	-

Functions

Operation	in combination with hood
Number of speed	3 + power
Minimum / maximum operating temperature (°C)	-

Airflow and noise level

Maximum flow (m3/h)	1400
---------------------	------

Airflow (m3/h)/ preasure (Pa)(according to EN 61591)

- Speed 1	330/380
- Speed 2	520/450
- Speed 3	660/520
- Powerspeed / speed 4	940/660

Noise Level (dB(A) re 1 pW/ dB(A) re 20µPa) (according to EN 60704-2-13)

- Speed 1	43/31
- Speed 2	49/37
- Speed 3	52/40
- Powerspeed / speed 4	56/43

Noise level measured on the extract side Lwa5 (dB(A)(DIN 45635-2)

- Speed 1	-
- Speed 2	-
- Speed 3	-
- Powerspeed / speed 4	-

Technical specifications

Total power (W)	184
Position exhaust	down
Weight motorunit (kg)	11
Material roof fan	-
Material roof socket	-
Material automatic shutter	-

Accessories

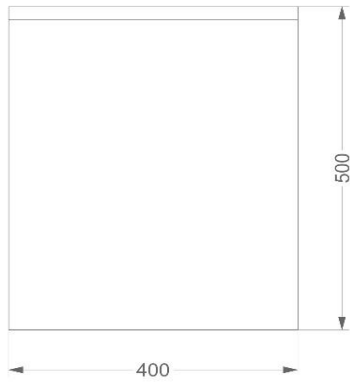
Extended cable for seperated motor (5m)	7000092
---	---------



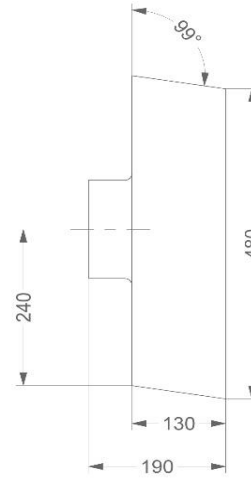
Wallmotor for outside the house

445999
Stainless steel

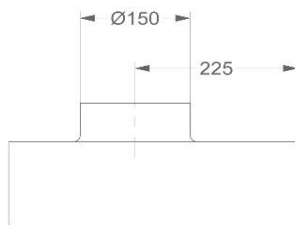
1



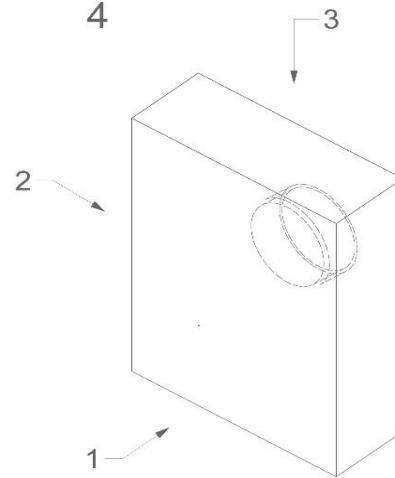
2



3



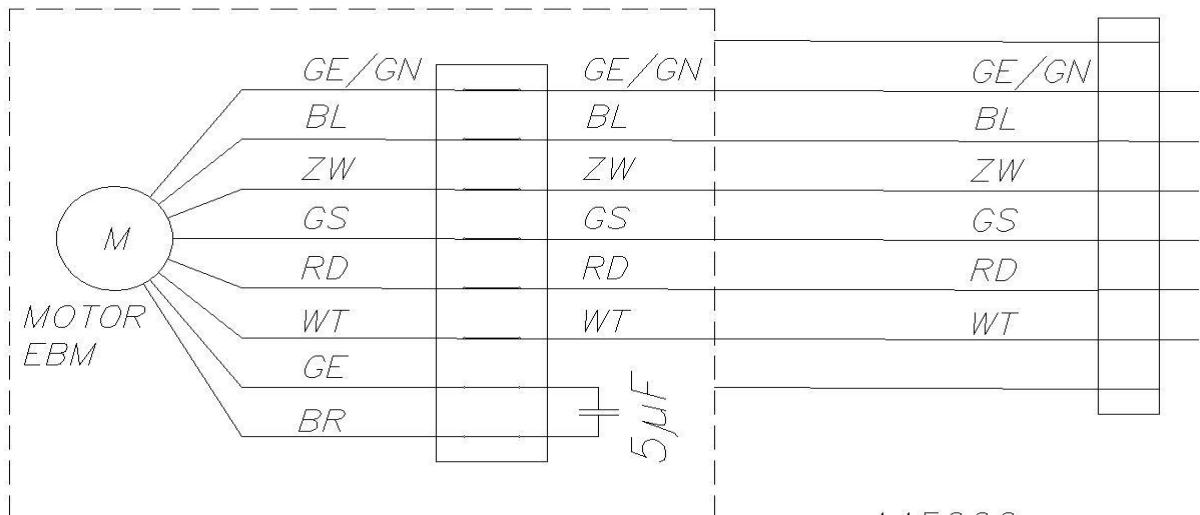
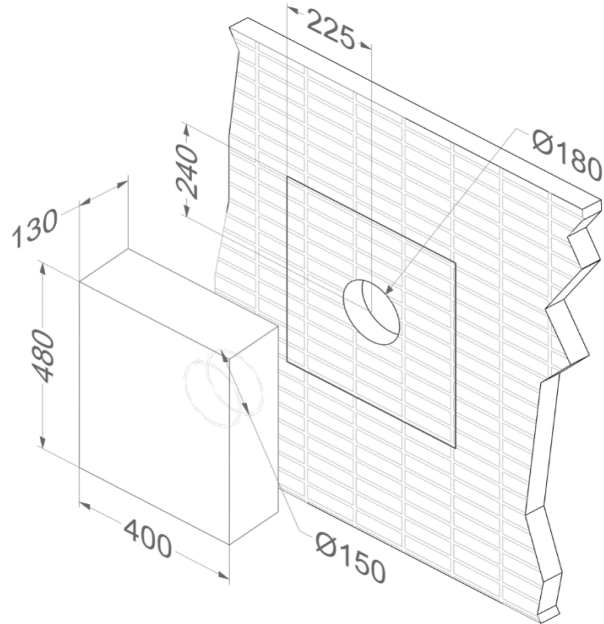
4



Wallmotor for outside the house

445999

Stainless steel



445999

WT	wit	blanc	weiss	white
GE/GN	geel/groen	jaune/vert	gelb/grün	yellow/green
GS	grijs	gris	grau	grey
RD	rood	rouge	rot	red
BL	blauw	bleu	blau	blue
ZW	zwart	noir	schwarz	black